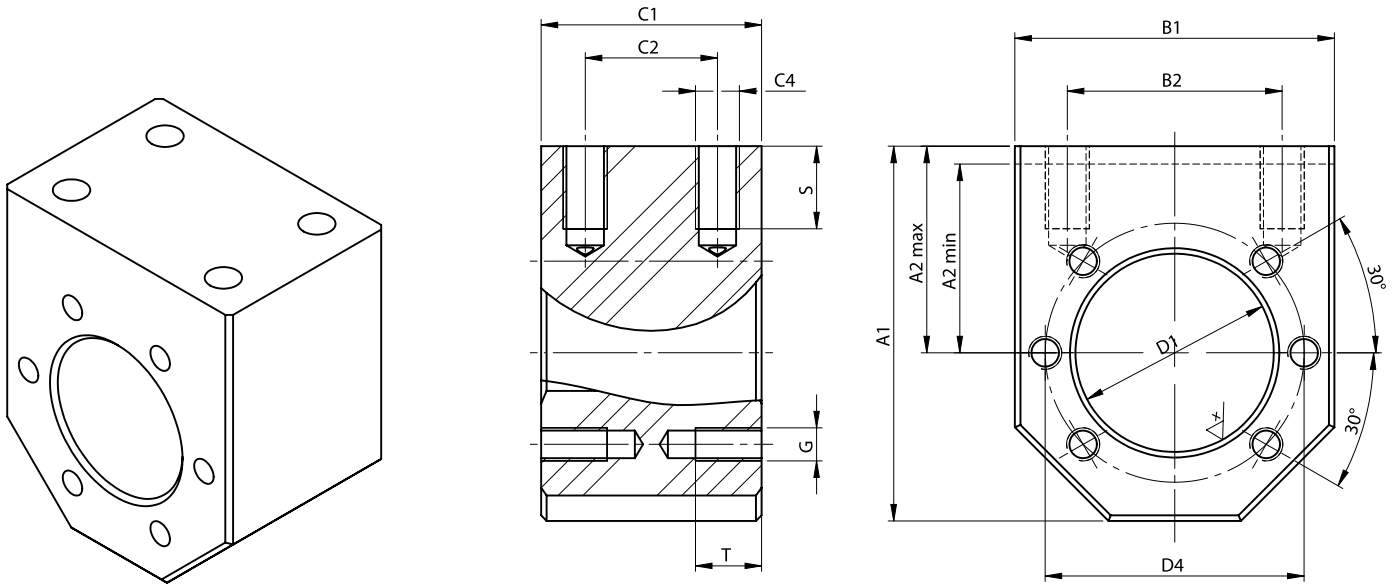


Adaptor bracket KON

Adaptor bracket for radial fastening of trapezoidal-threaded flanged nuts EFM or ball screw flanged nuts KGF-N/KGF-D according to DIN 69051.



Size	Hole pattern ¹⁾	A1	A2 max	A2 min	B1	B2	C1	C2	C4	S	D1	D4	G	T
KON Tr 16x4/Tr 18x4/KGF-N 1605	3	60	35	25	50	34	40	24	M8	15	28	38	M5	10
KON KGF-D 1605/1610	1	60	35	25	50	34	40	24	M8	15	28	38	M6	10
KON Tr 20x4/Tr 24x5/KGF-N 2005	3	68	37.5	29	58	39	40	24	M8	15	32	45	M6	12
KON KGF-D 2005	1	68	37.5	30	58	39	40	24	M8	15	36	47	M7	12
KON KGF-D 2020/2050	3	75	42.5	32.5	65	49	40	24	M10	15	35	50	M6	12
KON Tr 30x6/KGF-N 2505	3	75	42.5	32.5	65	49	40	24	M10	15	38	50	M6	12
KON KGF-D 2505/2510/2520/2525/2550	1	75	42.5	32.5	65	49	40	24	M10	12	40	51	M6	12
KON Tr 36x6/KGF-N 3205	3	82	45	37	75	54	50	30	M10	12	45	58	M6	12
KON KGF-D 3205	1	92	50	40	85	60	50	30	M12	15	50	65	M8	12
KON KGF-N 3210/3240/4005	3	92	50	42	85	60	50	30	M12	15	53	68	M6	12
KON KGF-D 3210/3220	1	92	50	40	85	60	50	30	M12	15	53	65	M8	12
KON Tr 40x7/KGF-N 4010	3	120	70	50	100	76	65	41	M14	25	63	78	M8	14
KON KGF-D 4005/4010/4020/4040	2	120	70	50	100	76	65	41	M14	25	63	78	M8	14
KON Tr 50x8/KGF-N 5010	3	135	77.5	57.5	115	91	88	64	M16	25	72	90	M10	16
KON KGF-D 5010	2	135	77.5	57.5	115	91	88	64	M16	25	75	93	M10	16
KON KGF-D 5020	2	152	87.5	65	130	101	88	64	M16	30	85	103	M10	16
KON Tr 60x9/KGF-N 6310	3	152	87.5	65	130	101	88	64	M16	30	85	105	M10	16

¹⁾ See catalogue illustration of nut hole pattern